



C A B U C H O N[®]

B A T H *f*o *r*m s

OCTAVIA INSET BATH

NORMAL WATER REQUIREMENT

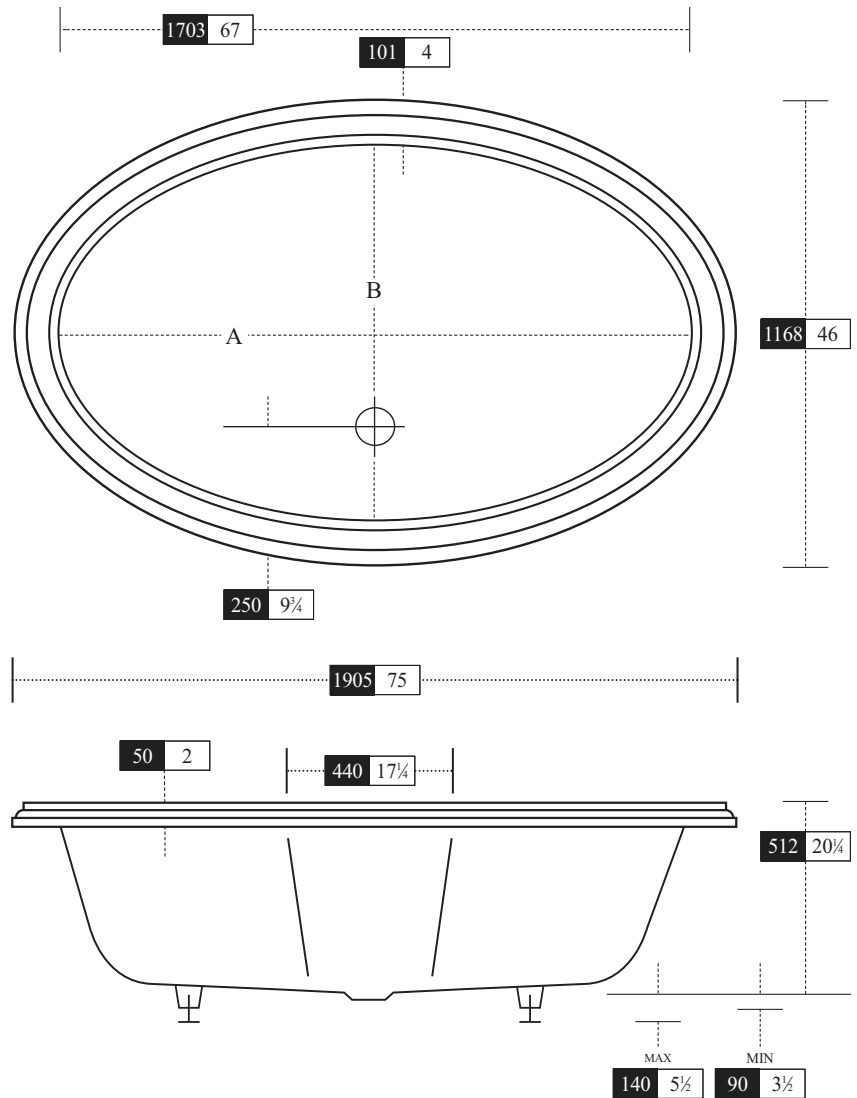
373 Litres, 82 Imperial Gallons, 98 US Gallons

KEY TO SIZES: ■ Millimetres □ Inches to nearest 1/4"

This bath is supplied with only waste & overflow holes drilled in order to allow options on jobsite in the positioning of spouts, taps, handshowers and whirlpool controls. The only rule is good plumbing.

The bath is mounted on four metal legs with adjustable feet with the minimum and maximum height as shown below. The weight of the bath must rest on its feet. Do not support the weight of the bath by its rim on a deck.

All Cabuchon products are registered designs covered by copyright and the Company, being committed to continuous innovation and improvement, reserves the right to change specifications without notice. Tolerances are +3 or - 3 mm.



	A	B
Top	1560 61 1/2	860 33 3/4
Bottom	1210 47 3/4	740 29 1/4