



# C A B U C H O N<sup>®</sup>

## B A T H *f*o *r*m *s*

### PALLADIAN INSET BATH

#### NORMAL WATER REQUIREMENT

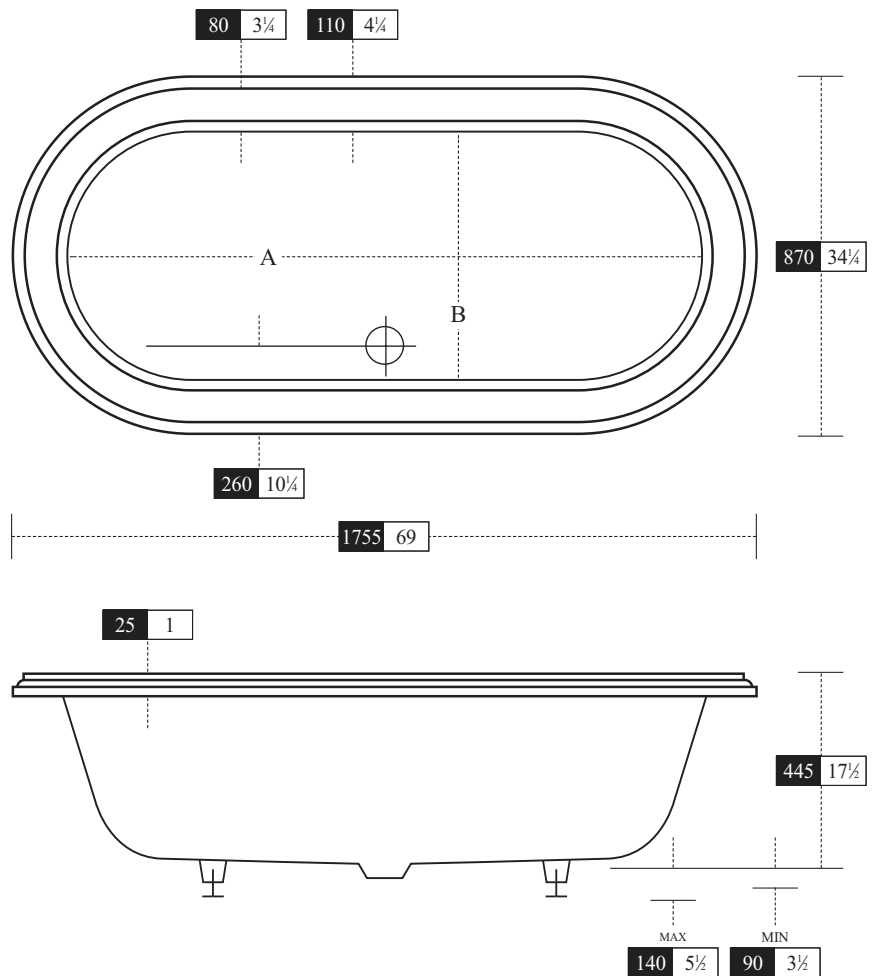
216 Litres (48 Imperial Gallons)

KEY TO SIZES: ■ Millimetres □ Inches to nearest 1/4"

This bath is supplied with only waste & overflow holes drilled in order to allow options on jobsite in the positioning of spouts, taps, handshowers & whirlpool controls. The only rule is good plumbing.

The integral steel chassis has four screw-adjustable feet allowing a variation in height of 80mm/3 1/4". Maximum height of feet is 140mm/5 1/2". Do not support the weight of the bath by its rim on a deck.

All Cabuchon products are registered designs covered by copyright and the Company, being committed to continuous innovation and improvement, reserves the right to change specifications without notice. Tolerances are + or - 3 mm.



	A	B
Top	1530	650
	60 3/4	25 1/2
Bottom	1210	500
	47 3/4	19 3/4