



C A B U C H O N®
B A T H f o r m s

Product page: <https://www.cabuchon.com/product/serenity-rectangular-bath/>

Tel.: +44 (0) 1524 66022.

Fax: +44 (0) 1524 844927

E-mail: info@cabuchon.com

Website: <https://www.cabuchon.com/>

SERENITY BUILT-IN BATH

BATH MODEL		1700	1760	1800	2000
A	External Length	1700	1760	1800	2000
		67	69½	71	78¾
B	Inner length - Top	1560	1620	1660	1840
		61½	64	65¾	72½
B	Inner length - Bottom	1050	1080	1120	1300
		41¾	42½	44	51
C	External Width	810	810	810	850
		32	32	32	33½
D	Internal Width - Top	630	630	630	660
		24¾	24¾	24¾	26
D	Internal Width - Bottom	560	560	560	585
		19¾	19¾	19¾	23
	Head Slope Length	65	75	75	90
		2¾	3	3	3½
E	Depth	480	480	480	495
		19	19	19	19½
F	Rear Rim Width	110	110	110	125
		4¾	4¾	4¾	4¾
G	Other Rims Width	70	70	70	80
		2¾	2¾	2¾	3
H	Waste Location from rim exterior	260	260	260	275
		10¾	10¾	10¾	10¾

The Serenity is available in a choice of 4 sizes. Each is supplied with only waste & overflow holes drilled in order to allow options on jobsite in the positioning of spouts, taps, hand-showers & whirlpool controls. The only rule is good plumbing.

These baths are usable mounted in a deck or undermounted to a deck. Do not support the weight of the bath by its rim on a deck. The bath has four screw adjustable feet allowing a variation in height of 50mm/2". Maximum height of feet is 140mm/5½".

All Cabuchon products are registered designs covered by copyright and the Company, being committed to continuous innovation and improvement, reserves the right to change specifications without notice. Tolerances are + or -3mm.

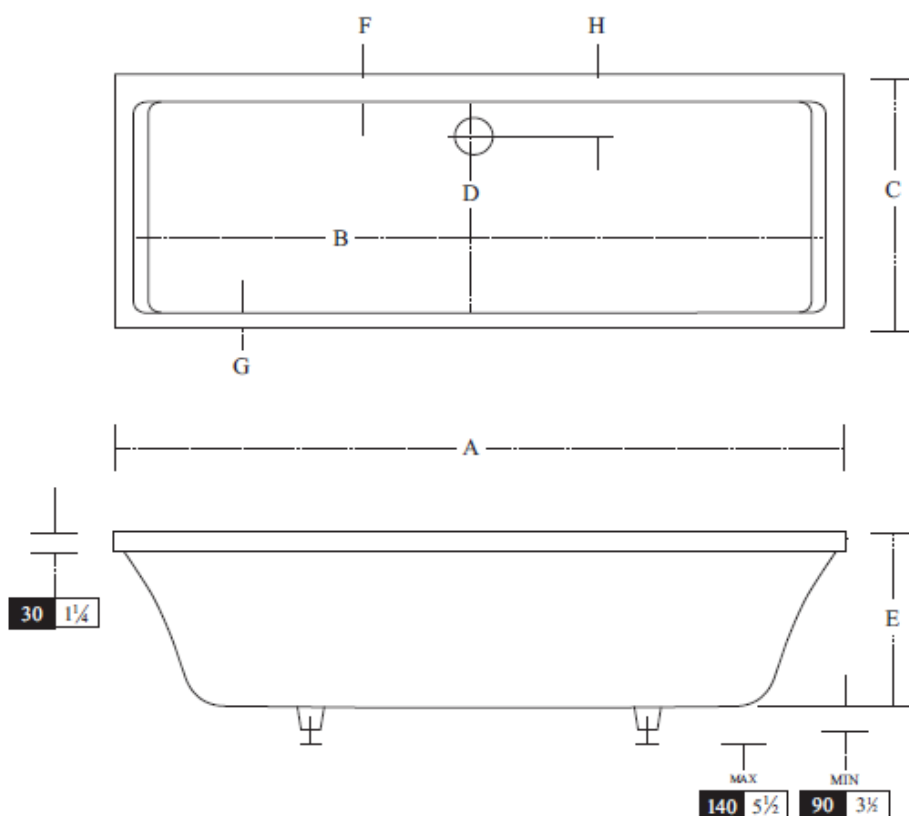
NORMAL WATER REQUIREMENT:

1700 model: 288 Litres, 63 Imperial Gallons, 76 US Gallons
1760 model: 298 Litres, 65 Imperial Gallons, 78 US Gallons
1800 model: 304 Litres, 67 Imperial Gallons, 81 US Gallons
2000 model: 365 Litres, 80 Imperial Gallons, 96 US Gallons

KEY TO SIZES: Millimetres Inches to nearest ¼"

Because Serenity baths are primarily inset or undermount we do not supply standard panels.

If commissioned to do so we can provide bespoke panels - either loose (but in one piece no matter how many sides, to ensure stability and rigidity) or as an integral part of the bath's body - if the objective is to make the bath free standing. This is illustrated on the website www.cabuchon.com



Whitegate, Lancaster LA3 3BT, England Tel: +44 (0) 1524 66022 Fax: +44 (0) 1524 844927 e-mail: info@cabuchon.com
Website: <https://www.cabuchon.com/>

Cabuchon is a registered trademark of Design & Form Ltd. Cabuchon Bathforms is a division of Design & Form Ltd.